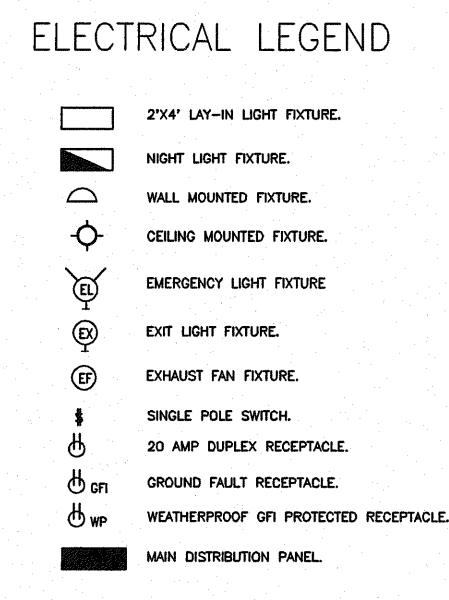


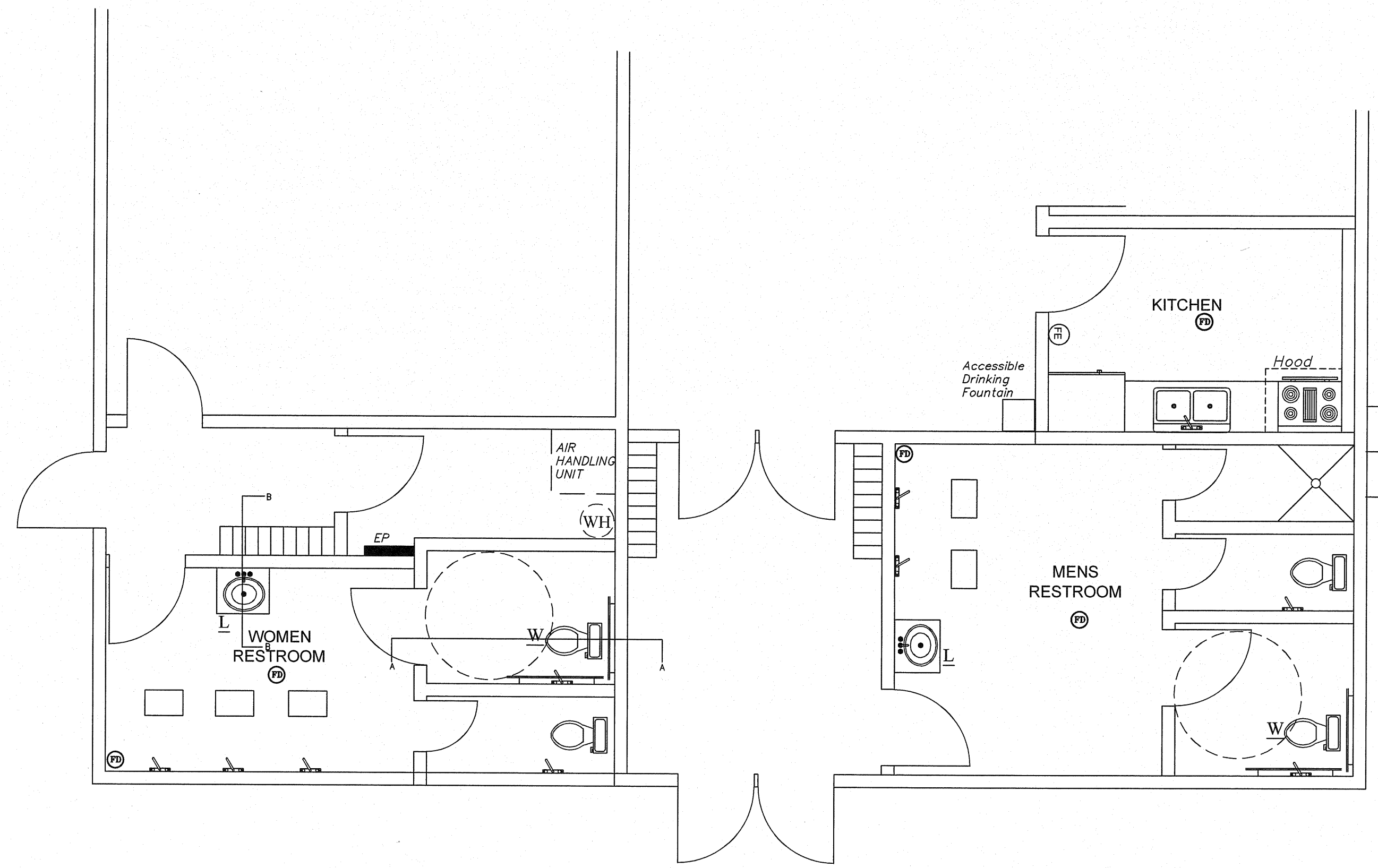
**Electrical Floor Plan**



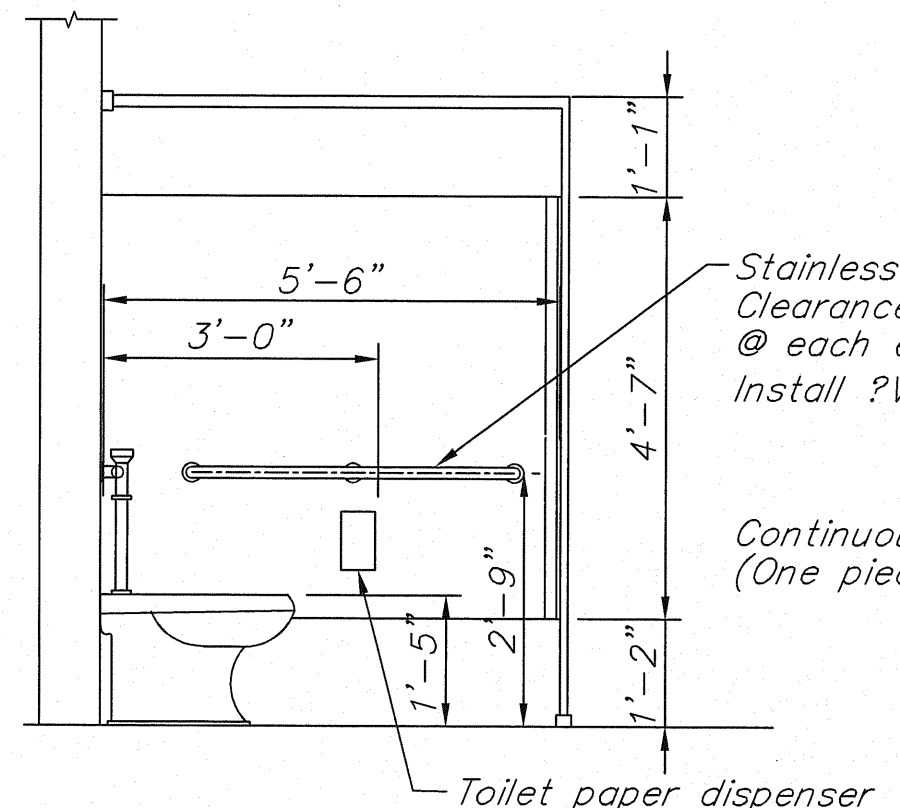
- ELECTRIC GENERAL NOTES:**
- 2' x 4' FLUORESCENT LIGHTS WITH 4-BULB FIXTURE (ROOF MOUNTED)
  - 2' x 4' FLUORESCENT LIGHTS WITH 4-BULB FIXTURE. THESE LIGHT FIXTURES SHALL BE SUSPENDED FROM THE ROOF AND SHALL BE LOCATED AS SHOWN ON THE PLANS.
  - AREA OPEN TO ROOF.
  - BATHROOM EXHAUST FANS - GREEN HECK - 75 CFM.
  - EMERGENCY AND EXIT LIGHTS SHALL BE INSTALLED WITH BATTERY BACK UP.
  - FIFTY GALLON ELECTRIC HOT WATER HEATER - MOUNTED ABOVE CEILING.
  - OUTLINE OF CEILING TOP AIR HANDLING UNIT. THE AIR CONDITIONING UNIT SHALL BE INSTALLED IN THE SIDE YARD AND CONNECTED TO THE ELECTRIC PANEL LP-1 AT ITS RESPECTIVE DESIGNATED CIRCUIT. PLEASE REFER MECHANICAL DRAWING FOR OTHER DETAILS.
  - CONTRACTOR SHALL VERIFY LOCATION OF EXISTING UTILITIES, AND SHALL BE RESPONSIBLE FOR PROTECTING THESE UTILITIES DURING THE EXECUTION OF HIS WORK AND RELOCATION.
  - THE CONTRACTOR SHALL NOTIFY THE ENGINEER OF ANY OBSERVED DISCREPANCIES IN DIMENSIONS, DETAILING, OR OTHER ITEMS AS SHOWN ON THE PLANS OR SPECIFIED PRIOR TO PROCEEDING WITH WORK RELATED TO SAID DISCREPANCIES.
  - ALL WORK SHALL BE DONE IN ACCORDANCE WITH LOCAL CODES.
  - THE PARKING SHALL BE ILLUMINATED WITH TWO POLE MOUNTED 250 WATT LIGHT POLE FIXTURES.
  - THE MAIN DISTRIBUTION PANEL SHALL BE INSTALLED AS SHOWN ON THE PLANS.

LOAD DESCRIPTION	WATTS			CIRCUIT BREAKERS 20 AMP, 5/8" OR AS NOTED	OUTLET MISC.	WATTS			LOAD DESCRIPTION
	A	B	C			A	B	C	
CONDENSER UNIT		1500		1	2			1200	HVAC UNIT
SPARE				3	4				
SPARE				5	6				
SPARE				7	8				
SPARE				9	10				
SPARE				11	12				
SPARE				13	14				
SPARE				15	16				
SPARE				17	18				
SPARE				19	20			300	RECEPTACLE
SPARE				21	22			300	WALK IN LIGHTS
SPARE				23	24			300	OUTSIDE LIGHTS
RECEPTACLE	500			25	26			300	LIGHTS
RECEPTACLE	500			27	28			300	LIGHTS
EMERGENCY LTS		200		29	30			300	WALK IN LIGHTS
SPARE				31	32			500	SPARE
TOTAL PHASE 'A'				8800					
TOTAL PHASE 'B'				8040					
TOTAL PHASE 'C'				7540					
TOTAL ELECTRICAL LOAD				24380 WATTS = 68 AMPS (CONNECTED)					
				18440 WATTS = 51 AMPS (DEMAND)					

**PANEL A**



**Plumbing Floor Plan**

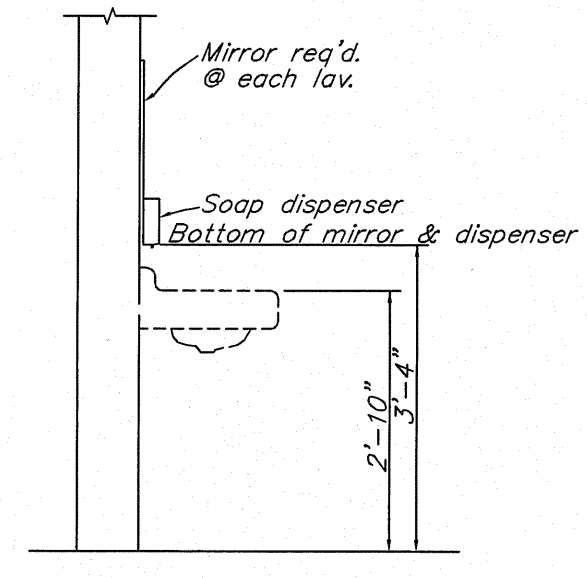


**SECTION A-A**

Stainless steel handrail w/ 1 1/2" Clearance between rail & wall. Anchor @ each end & center. See plan for location. Install ?Vandal proof S.S. screws.

Continuous bracket (One piece)

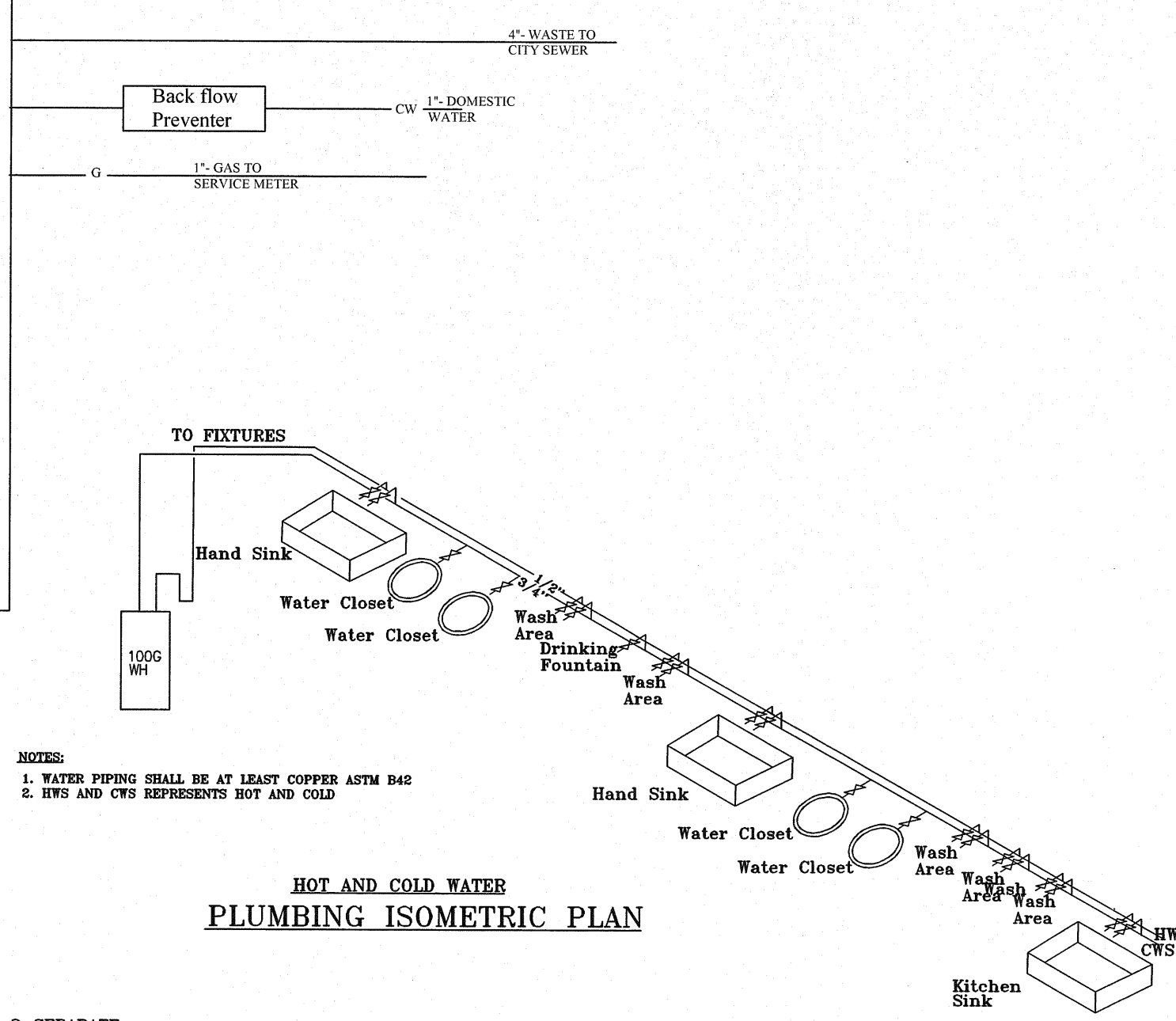
- NOTES:**
- Doors Req'd. for all toilet compartments.
  - Headrail bracing only.



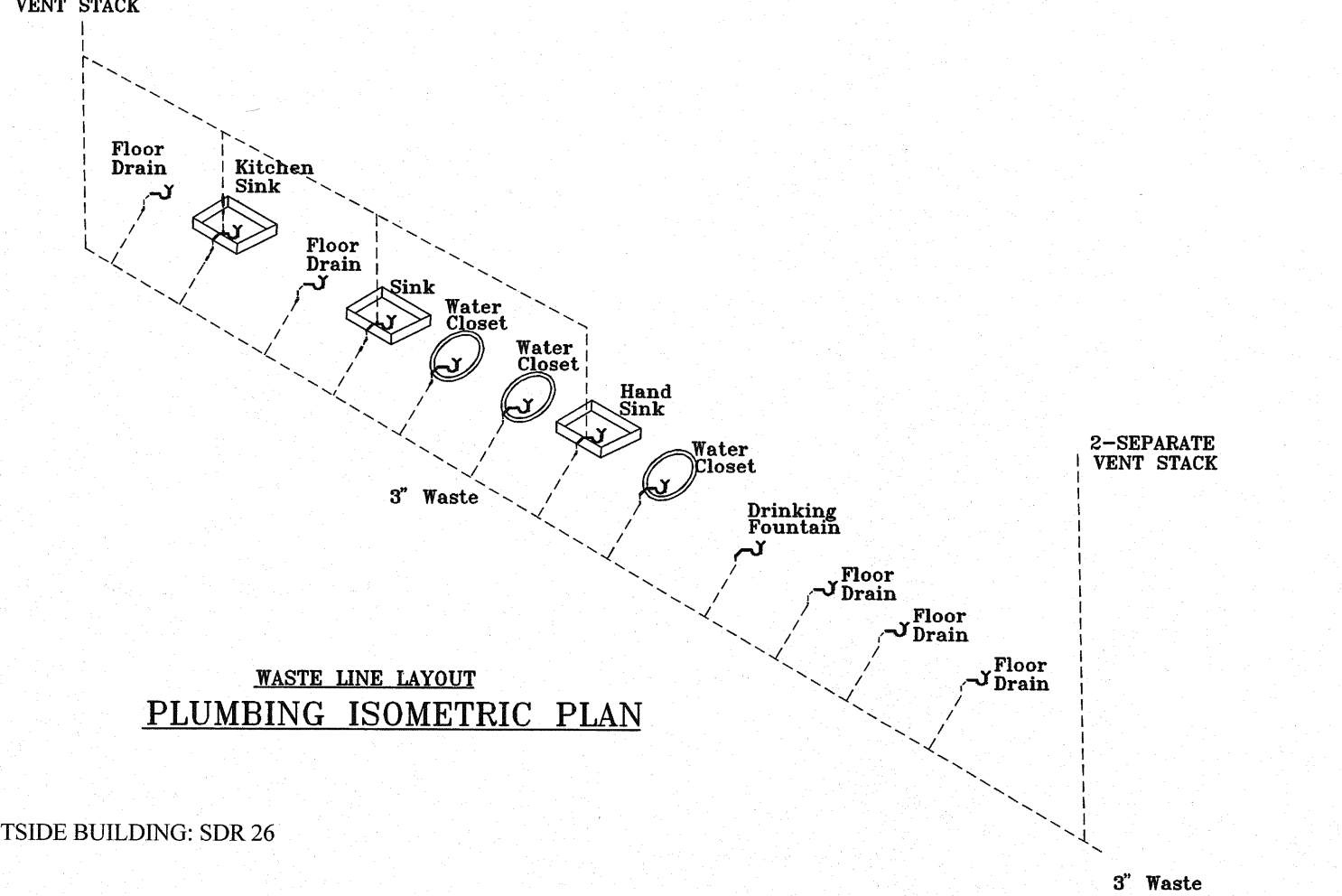
**SECTION B-B**

**GENERAL PLUMBING NOTES**

- CONTRACTOR SHALL VERIFY LOCATION OF EXISTING UTILITIES, AND SHALL BE RESPONSIBLE FOR PROTECTING THESE UTILITIES DURING THE EXECUTION OF HIS WORK AND RELOCATION.
- THE CONTRACTOR SHALL NOTIFY THE ENGINEER OF ANY OBSERVED DISCREPANCIES IN DIMENSIONS, DETAILING, OR OTHER ITEMS AS SHOWN ON THE PLANS OR SPECIFIED PRIOR TO PROCEEDING WITH WORK RELATED TO SAID DISCREPANCIES.
- ALL WORK SHALL BE DONE IN ACCORDANCE WITH LOCAL CODES.
- INSULATE SUPPLY AND WASTE PIPING AT RESTROOM SINKS.
- PAPER TOWEL DISPENSER SHALL BE WITHIN 48" OFF TO OPERATOR.
- SIDE GRAB BAR MUST EXTEND 54" FROM BACK OF THE WALL.
- RESTROOM SINK SHALL BE 34" HIGH.
- WATER HEATER OVERFLOW MUST MAINTAIN 1" GAP ABOVE MOP SINK FLOOR RIM LEVEL.
- PROVIDE DRAIN PAN AT WATER HEATER.
- PROVIDE EXPANSION TANK AT WATER HEATER.
- PROVIDE FREEZE PROTECTION OF BUILDING DRAIN WHERE IT LEAVES THE BUILDING.
- PROVIDE CLEANOUT AT 3" STACK.
- PROVIDE PROPER SUPPORT OF PLUMBING PIPES.
- CONDENSATE DRAIN MUST NOT BE CONNECTED TO BUILDING DWV.



**HOT AND COLD WATER PLUMBING ISOMETRIC PLAN**



**WASTE LINE LAYOUT PLUMBING ISOMETRIC PLAN**

**PLUMBING SYMBOLS & SPECIFICATIONS:**

- S — SOIL AND WASTE PIPING. INSIDE BUILDING SCHEDULE 40 PVC WITH SOLVENT WELD JOINTS. OUTSIDE BUILDING: SDR 26 PVC WITH PUSH-ON NEOPRENE GASKET JOINTS.
- CW — DOMESTIC COLD WATER PIPING. INSIDE BUILDING: TYPE "L" RIGID COPPER WITH SWEAT COPPER FITTINGS, 50-50 NO LEAD SOLDER JOINTS AND 1/2" GLASS FIBER VAPOR BARRIER JACKETED INSULATION. OUTSIDE BUILDING: TYPE "K" SOFT COPPER TUBING WITH SWEAT COPPER FITTINGS 95-5 TIN ANTIMONY JOINTS.
- HW — DOMESTIC HOT WATER PIPING. SAME AS DOMESTIC COLD WATER PIPING.
- G — NATURAL GAS PIPING. SCHEDULE 40 BLACK STEEL WITH METALLIC IRON SCREWED FITTINGS OR STANDARD WELDED FITTINGS. PRIME AND PAINT ALL EXPOSED PIPING.
- O — FLOOR DRAIN SIMILAR TO WADE SERIES W-1100 WITH STANDARD 7" ROUND NB STRAINER AND ADJUSTABLE TOP.
- (WH) — WATER HEATER. SIMILAR TO A.O. SMITH MODEL ELC-2 POINT OF USE WATER HEATER WITH BRONZE 2-1/2 GALLON TANK AND 1500 WATT 120V ELEMENT, FURNISHED WITH GROUNDED PLUG.
- W — HANDICAP FLUSH TANK FLOOR OUTLET WATER CLOSET. SIMILAR TO AMERICAN STANDARD @2108.408 "WATER SAVER CADET, 18" HIGH WITH VITREOUS CHINA, ELONGATED SIPHON JET WITH SAME ACCESSORIES AS FOR WATER CLOSET (W).
- L — HANDICAP WALL HUNG LAVATORY. SIMILAR TO AMERICAN STANDARD #0355.012 "LUCERNE, 20" x 18" WHITE VITREOUS CHINA WITH WALL HANGER, #2385.078 SINGLE LEVER FAUCET, GRID DRAIN, 1-1/4" TAIL PIECE AND CAST BRASS P-TRAP WITH CLEANOUT. CHROME PLATED SUPPLIES WITH LOOSE KEY ANGLE STOPS AND SET SCREW ESCUTCHEONS FOR SUPPLIES AND TRAP. SET WITH BOTTOM OF APRON 29" ABOVE FLOOR AND INSULATE EXPOSED WASTE AND HOT WATER WITH 1/2" GLASS FIBER INSULATION WITH PVC PIPE AND FITTING COVERS.
- (Back flow Preventer) — REDUCED PRESSURE BACKFLOW PREVENTER. VALVE SHALL BE WATT SERIES 909, EQUIVALENT HENLEY "BEECO", 3-CHAMBER REDUCED PRESSURE TYPE WITH TEST COCK ON EACH CHAMBER, SHUT-OFF VALVE ON INLET AND OUTLET, STRAINER ON INLET, FULL SIZE OF PIPING IN WHICH IT IS INSTALLED, AND NOT LESS THAN 175 PSI W.P. FURNISH AND INSTALL JOSAM #88914-40, OR APPROVED EQUAL, 1/2" GALVANIZED CAST IRON AIR-GAP DRIP FITTING AT EACH BACKFLOW PREVENTER TO CATCH BACK PRESSURE DRIP. EXTEND 1/2" DRAIN LINE FROM DRIP FITTING AND END OVER DRAIN.

